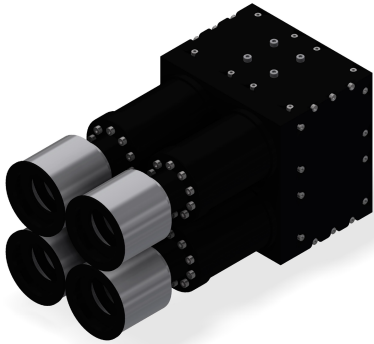


# Datasheet

# 22mm Cluster Camera



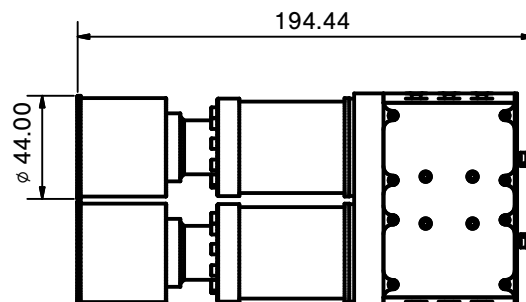
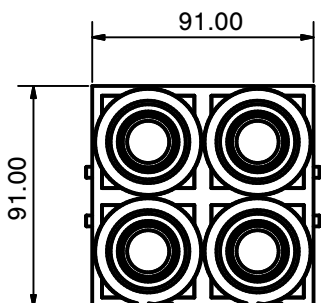
Wide temperature high-performance passive self-focusing cluster camera for solving agriculture, civilian and scientific tasks of remote sensing. This camera has the possibility to work with stable MTF in range of temperature from -60°C ~ +60°C.

## SPECIFICATIONS

Dimensions (maximum)	200.0 x 91.0 x 91.0 (±1) mm
Mass	2300 ± 100 g
Operating conditions	-60°C ~ +60°C, vacuum
Spatial resolution @ 600km	37 m color
Swath width @ 600km	114 km
Aperture	22 mm
Field of View	12°
Focal length	76.5 mm
Spectral band	Up to 32 bands as customer's request (RGB, Red Edge, NIR, PAN)
Image sensor	CMOS (3388 x 2712)
Data interface	Gigabit Ethernet/LVDS/RS422/RS485
Data format	Mono 8/10/12/14 bit RGB 8/10/12 bit
Control interface	CAN/RS232/RS422/RS485
Power consumption	48 W (15 W in max) (4 cameras) 12 W (15 W in max) (1 camera)

## FEATURES

- Monochrome and RGB types
- TTL trigger
- Compact size
- Radiation tolerance: TDI > 10krad
- Complicated tasks can be solved with many spectral bands
- **Passive auto focusing system**



## KAIROSPACE Co., Ltd.

13383, Rm406, 1115, Seongnam-daero, Jungwon-gu, Seongnam-si, Gyeonggi-do, Republic of Korea  
TEL: +82 31 756 9998 | FAX: +82 757 9998 | EMAIL: info@kairo.space | www.kairo.space