

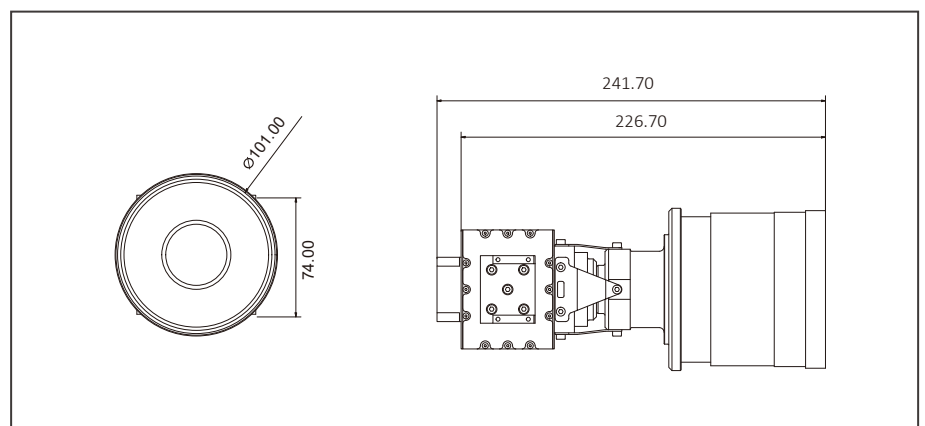
High-aperture optics for solving any commercial and scientific tasks of remote sensing. This camera has been specially optimized in terms of size, weight and data rate for use on space platforms such as CubeSat. Any CubeSat starting from 6U has the ability to use this camera at full power.

SPECIFICATIONS

Dimensions (maximum)	101 x 243 (±1) mm
Mass	1.4 kg
Operating conditions	-40°C ~ +60°C, vacuum
Power	12V ~ 0.35A
GSD @ 400km	5 m color / 3 m PAN
Swath width @ 400km	9.95 km
Aperture	90 mm
Field of View	1.5°
Focal length	500 mm
Sensor size	3388 x 2712 pixel
Frame rate	6.9 FPS at full resolution (14 bit)
Photometric resolution	14 bit (8/12/14 bit selectable)
Spectral band	Up to 6 bands as customer's request (RGB, Red Edge, NIR, PAN)
Image sensor	CMOS
Data interface	Gigabit Ethernet/LVDS/RS422/RS485
Control interface	CAN/RS232/RS422/RS485

FEATURES

- Monochrome and RGB types
- TTL trigger
- Compact size
- Ethernet 1Gbit/s
- Optimized for change detection



KAIROSPACE Co., Ltd.

13383, Rm406, 1115, Seongnam-daero, Jungwon-gu, Seongnam-si, Gyeonggi-do, Republic of Korea
 TEL: +82 31 756 9998 | FAX: +82 757 9998 | EMAIL : info@kairo.space | www.kairo.space